

## Multi-Capacity Laboratory Hi-Coater System

For Developmental and Pilot Scale Pan Coating Processes

### Portable Self-Contained System

Four Interchangeable Fully Perforated Pans:  
Rated Volume: 11L, 20L, 40L, and 55L  
Diameter: 19", 24", 30" and 30" Stretched  
Hinged Front and Side Access Doors  
for Quick Pan Changeover

### Flexible Processing Capabilities

Optimally Designed Mixing Baffles Provides  
Batch Ranges 25% to 100% of Rated Volume

### Anti-Bearding Spray Gun

No-Drip Design with Needle Valve  
Atomization & Spray Pattern Control for  
Consistent Coating Processes  
Easily Removable Spray Bar

### Anti-Marking Coating Pans

Mirror-Smooth Finish  
Removable Anti-Slide Baffles  
Abrasion Resistant Perforations

### Color Touchscreen Control System

Two Modes of Operation: Manual Mode  
and Recipe Driven Automatic Mode  
Validatable Process Control  
Inlet Airflow and Pan Pressure  
Exhaust or Inlet Temperature  
Spray Rate and Delivery Amount



The LDCS-Pilot is a portable, self-contained system designed for laboratory and pilot scale pan coating processes. Unique abrasion resistant perforations minimize tablet attrition. Each coating pan is manufactured with the latest anti-marking technology, consisting of a high mirror finish and anti-slide baffles. Vector's coating pans are designed with the ability to process at 25% of the rated batch capacity. With a standard offer that includes a coating pan, a recipe-driven control system, and quick delivery, the LDCS-Pilot provides the best solution for your laboratory and pilot scale pan coating processes.

#### VECTOR CORPORATION

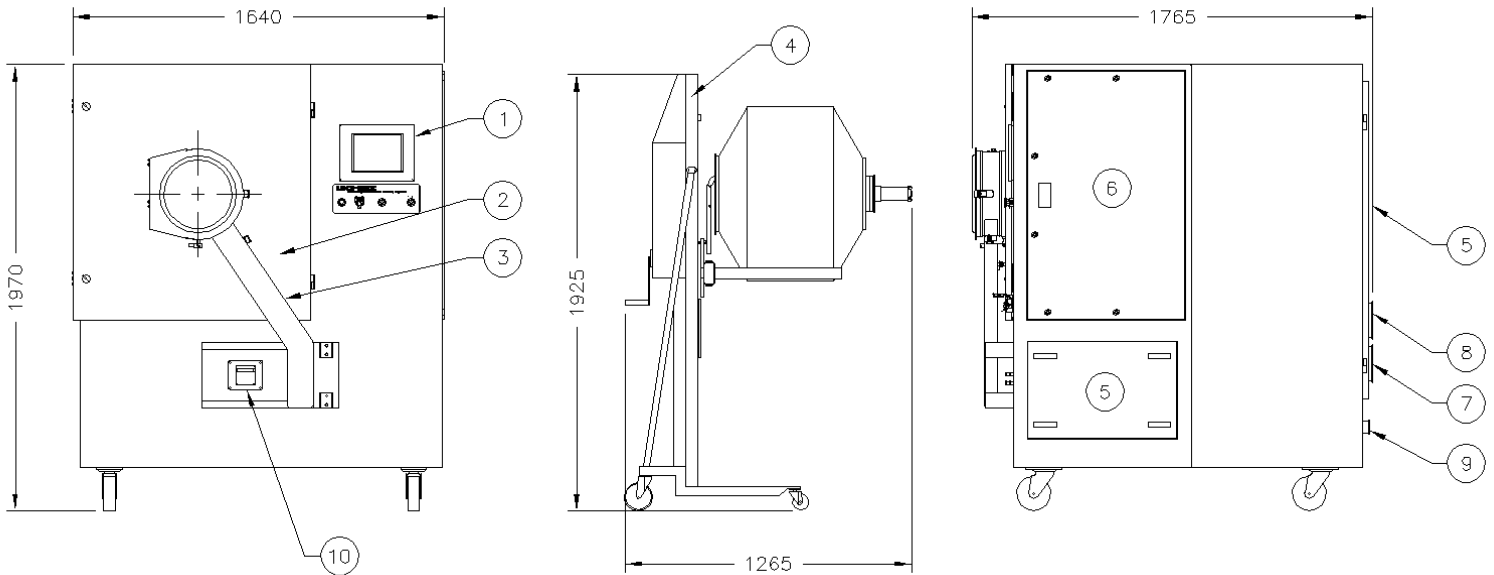
675 44<sup>th</sup> Street, Marion, IA 52302-3800

Phone: 319-377-8263 Fax: 319-377-5574

Email: [vector.sales@vectorcorporation.com](mailto:vector.sales@vectorcorporation.com)

[www.vectorcorporation.com](http://www.vectorcorporation.com)

# LDCS-Pilot



**NOTES:**

1. Dimensions are shown in millimeters.
2. Dimensions shown are design dimensions and are subject to change due to manufacturer's tolerances.

- |                                |                              |
|--------------------------------|------------------------------|
| 1. Color Touchscreen OIP       | 6. Control Panel Access Door |
| 2. Pan Removal Door            | 7. Inlet Duct                |
| 3. Swing-Out Spray Bar         | 8. Exhaust Duct              |
| 4. Pan Removal Lift (Optional) | 9. Drain                     |
| 5. Access Doors                | 10. Solution Pump (Optional) |

## TECHNICAL SPECIFICATIONS

|   |  |
|---|--|
| Inlet Temperature: 25 - 100°C                     | Compressed Air Supply: 75 m <sup>3</sup> /hr @ 7 bar |
| Process Air Volume: 200 – 1000 m <sup>3</sup> /hr | Electrical Supply : 460/3/60 or 400/3/50             |
| Solution Delivery Rate: 10 – 200 mL/min           | Weight: 1360 kg (Approx.)                            |
| Pan Speed: 2 – 25 RPM                             | Design Standards: CE, UL, NFPA, CSA                  |
| Fluid Orifice / Spray Cap: 1.2 mm / 4.0 mm        | (Solvent Rating Optional)                            |

### PAN DIAMETERS

|                     |                     |                     |                             |
|---------------------|---------------------|---------------------|-----------------------------|
| 11 L: 482mm (19 in) | 20 L: 609mm (24 in) | 40 L: 762mm (30 in) | 55 L: 762mm (30 in stretch) |
|---------------------|---------------------|---------------------|-----------------------------|

Providing equipment and processing solutions around the world since 1972, Vector is a subsidiary of Freund Corporation located in Tokyo, Japan. Globally, the Freund/Vector team has thousands of system installations in the pharmaceutical, healthcare, chemical, agricultural, and food industries.